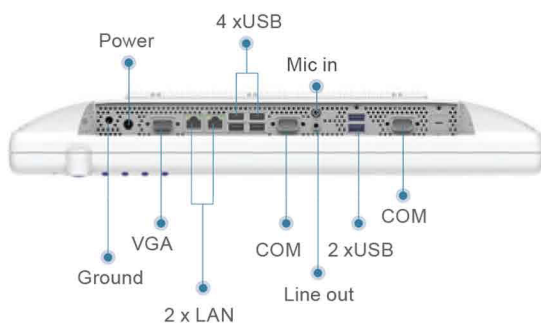


NH-1921

19" Atom Dual Core Slim Medical Panel PC



Features



- ◆ Intel® Atom D525 1.8GHz Dual Core Processor
- ◆ 19" 350 nits SXGA LCD with LED backlight
- ◆ 5-wire Resistive Touch Screen (optional)
- ◆ Build-in Smart Card Reader (optional)
- ◆ Slim DVD-RW Drive(optional)
- ◆ 802.11 b/g/n Wireless LAN (optional)
- ◆ +12V to +24V Wide Range DC input
- ◆ CE/FCC Class B, EN/UL60601-1 Medical Certification



Specifications

Main Specifications

Processor	Intel® Atom D525 1.8GHz Dual Core Processor
System Memory	Supports DDR3 SODIMM up to 4GB
Chipset	ICH8M
OS Support	Windows® XP, Windows® 7, Linux
Expansion Interface	Mini Card x 2
Storage Disk Drive	2.5" SATA Hard Disk Drive/SSD x 1 Slim DVD-RW Drive x 1(optional)
Security	Smart Card Reader x 1(optional)
Wireless Communication	802.11b/g/n(optional), Bluetooth 3.0 (optional)
Speaker	3W x 2
Power Requirement	DC 12~24V

Display

Size	19"
Resolution	1280 x 1024
Max. Colors	16.7M
Luminance	350 nits
View Angle	170°(H)/160°(V)
Contrast Ratio	1000:1
Back Light Life Time	50,000 Hours
Touch Screen	5-wire Resistive/ 35 million activities (optional)

I/O

USB	USB 2.0 x 6
Serial Port	RS-232 x 1, RS-232 /422/485 x 1
Ethernet	Gigabit LAN x 2
Video Out	VGA x 1
Audio	Mic-in, Line-out

Mechanical and Environmental

Power Consumption	Full loading:41 Watts
Operating Temperature	0°C ~ 40°C(32°F ~ 104°F)
Storage Temperature	-20°C ~ 60°C(-4°F ~ 140°F)
Mounting	VESA 75/100 mm
Net Weight	14.3 lb (6.5 kg)

Certifications	CE, FCC Class B Passed 18, cULus Mark/UL+VTC Report+ISO 14971 (CAN/CSA-C22.2NO.60601-1-08;ANSI/AAMI ES60601-1:2005, EC 60601-1-1:2005, EN 60601-1:2006 ISO 14971)
----------------	---



* Note: All specifications are subject to change without notice.